

ASK Transmitter Module

General Description:

315/434 MHz ASK TRANSMITTER

The TX2 is an ASK Hybrid transmitter module.

The TX2 is an ASK transmitter module .The result is excellent performance in a simple-to-use .The TX2 is designed specifically for remote-control , wireless mouse and car alarm system operating at 315/433.92MHZ

Frequency Range:315 / 433.92 MHZ.

Supply Voltage: 1.8~3.6V.

Output Power : 10dBm

Circuit Shape: ASK Transmitter IC



Applications

- ⌚ Car security system
- ⌚ Remote keyless entry
- ⌚ Garage door controller
- ⌚ Home security
- ⌚ Wireless mouse
- ⌚ Automation system

Product Identification

315MHZ	TX2-315M
433.92MHZ	TX2-433M

Absolute Maximum Ratings

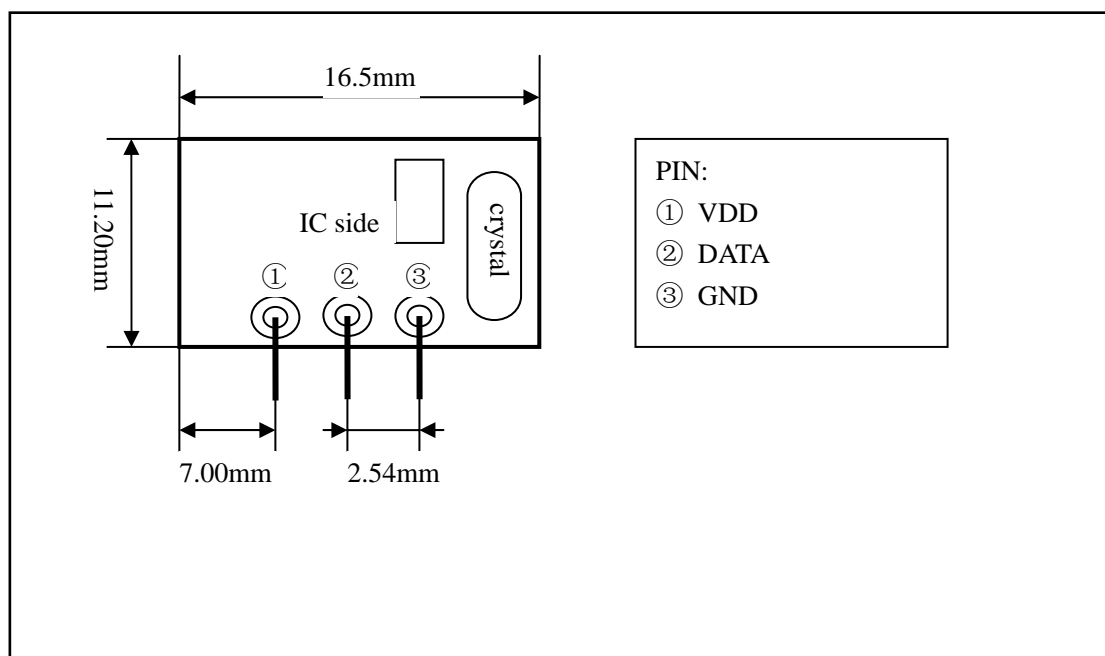
Parameter	Rating	Rating
Supply Voltage	1.8—3.6	V DC

Operating Temperature	-40 to +85	°C
------------------------------	-------------------	----

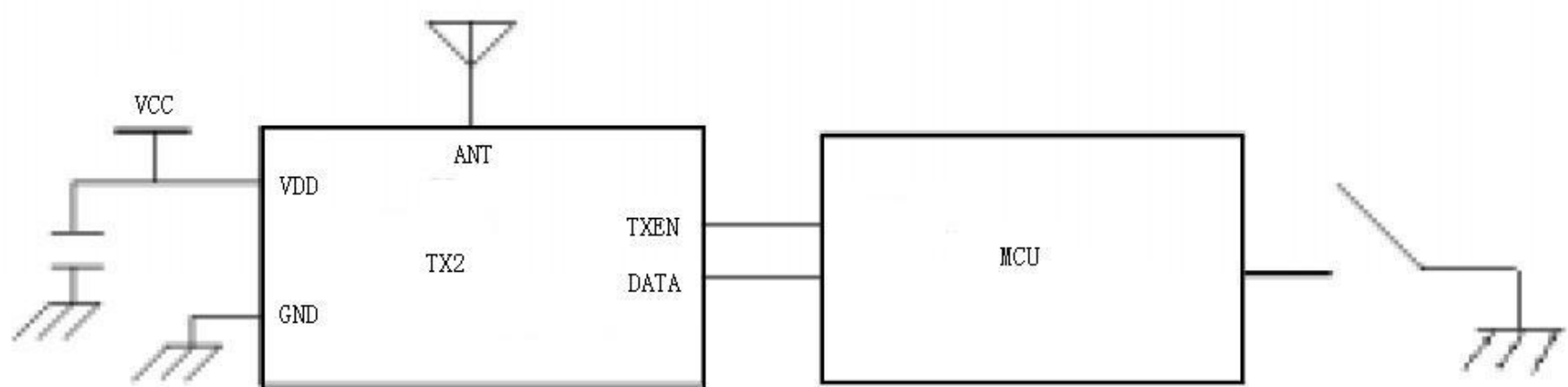
Transmitter Characteristics

Parameter	Symbol	Condition	Value			Unit
			min.	typ.	max.	
Output power		V _{cc} =3.0V, T _A -27°C, 50 Ω load	315MHz	10		dBm
			433.92MHz	10		dBm
Supply current	I _{cc}			10		mA
Supply voltage Range	V _{cc}		1.8	3	3.6	V
Data Rate				1	10	KHz

Pin Dimension



Typical Application:



Mark: .

Antenna length about :23cm for 315MHz
 17cm for 434mHz