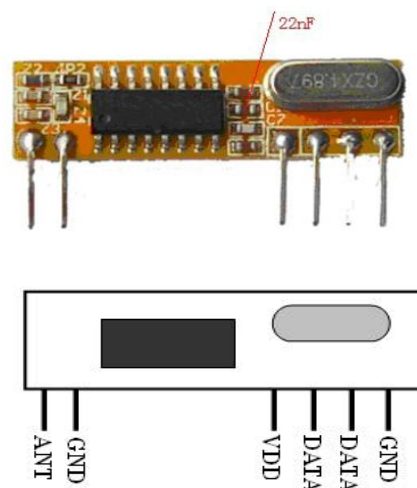


Type: Super-Heterodyne Receiver Module
Model: RXB12

DESCRIPTION:

RXB12 is an ASK/OOK receiver super-heterodyne module adopted SYN400R, which is designed specifically for unlicensed remote-control and wireless security receiver operating at 315/433.92MHz under FCC Part 15 regulation or pass ETSI certification. The RXB12 is based on a single-conversion, super-heterodyne receiver architecture and incorporates an entire Phase-Locked Loop (PLL) for precise local oscillator generation. It can be used in OOK/ HCS/ PWM modulation signal and demodulate to digital signal. The RXB12 is a high performance module at a competitive cost and easily to design for your product. The RXB12 module can be also a RoHS compliant product.



Features:

- Low cost ASK/AM radio superhet receiver
- High frequency stability (no adjust components) & coherence
- Very low RF re-radiation at the antenna
- Operation temperature -20 ~70 degrees centigrade
- Supply voltage: 2.8~5.5v
- Available frequency: 315/433.92MHz (other Frequency customer selectable)
- Compatible with most AM (ASK/OOK) transmitters
- Small package: SIL-6PIN (2.54mm of pin distance)
- Lead Temperature (soldering, 3s): 330 degrees centigrade

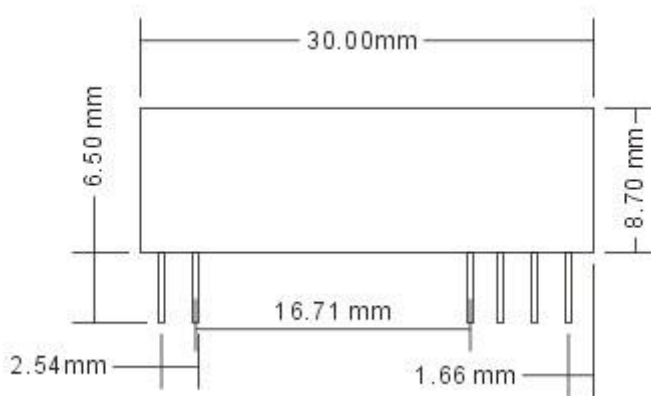
APPLICATION:

- Smart home system
- Remote controls
- Remote fan and light control
- Garage door and gate openers
- Alarm and security system

Electrical Characteristics :

Parameter	Specification			Unit	Condition
	Min	Typ	Max		
Frequency Range	300	315/433.92	450	MHz	
Receiver Sensitivity	-110		-105	dBm	
Data Rate	0.058		10	KBaud	
Supply Voltage, VDD	3.0		5.5	V	DC
Current	5.7		7.3	mA	
Operating Temperature	-20		+85	°C	

PCB Size



PIN-layout:

PIN No. (from left to right)	1	2	3	4	5	6
Name	ANT	GND	VDD	DATA	DATA	GND
Description	RF Input	Power Supply GND	Power Supply VDD	Digital Data output	Digital Data output	Power Supply GND

Note:

For whip antenna: 22.6cm for 315 MHz, 17cm for 433.92 MHz is recommended.

For more information and assistance, contact us as follows:

TEL: +86 755-8980 8996

Email: pinglib@gmail.com