



SHENZHEN JMRTTH CO., LTD.

ASK Super Heterodyne Receiver

General Description:

The RXB4-ASK is ASK/OOK Super Heterodyne receiver module, which can be used to receive un-decoded data from the range of Jmrth Transmitter modules.

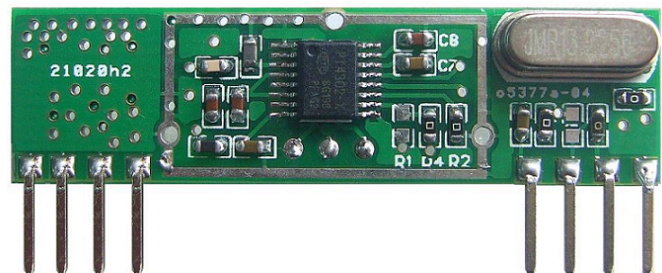
The module is very simple to operate and offer a low current consumption.

Data can be transmitted directly into a microprocessor or decoding device.

All receivers are compatible, producing CMOS/TTL Output, and only require connections to Power & Antenna.

Features:

- ⊙ ASK Demodulation
- ⊙ Frequency available as 315 or 433MHz
- ⊙ Super Heterodyne RF Receiver
- ⊙ CMOS / TTL Output
- ⊙ Stable Operating Frequency
- ⊙ Low Current Consumption
- ⊙ Wide Operating Voltage:3~5VDC
- ⊙ High Sensitivity : -110dBm



Application:

- ⊙ Wireless Security Systems
- ⊙ Garage Door Controller
- ⊙ Remote Gate Controls
- ⊙ Data Communications
- ⊙ Sensor Reporting

Part Numbers:

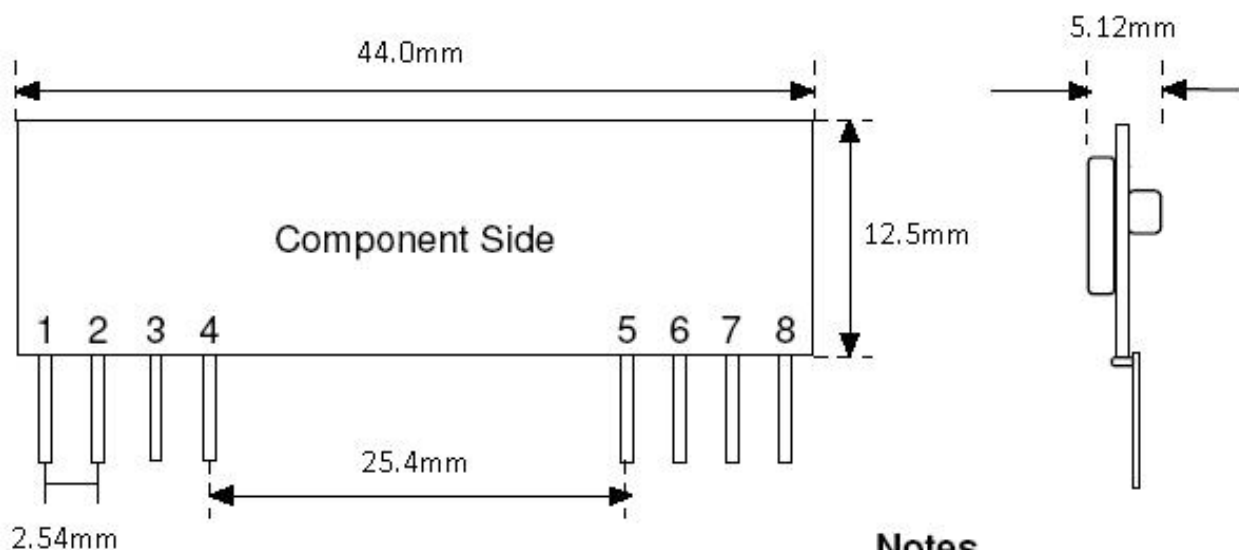
Part Number	Description
ST-RX07A-A315	ASK Super Heterodyne Receiver, 315MHz
ST-RX07A-A433	ASK Super Heterodyne Receiver, 433MHz

Electrical Characteristics

Ambient temp=25 °C VCC=5V 1Kb/s AM99% Square - wave modulation

Characteristic	Min.	Typ.	Max.	Unit
Supply Voltage	2.5	5	5.5	Vdc
Supply Current		2.8		mA
RF Sensitivity		- 110		dBm
Working Frequency		315/433.92		MHz
High Level Output	0.7Vcc			VDC
Low Level Output			0.3Vcc	VDC
Data Rate		1	5	Kbps
Bandwidth		280		KHz
Operating Temperature	- 40		+85	°C

Mechanical Dimension:



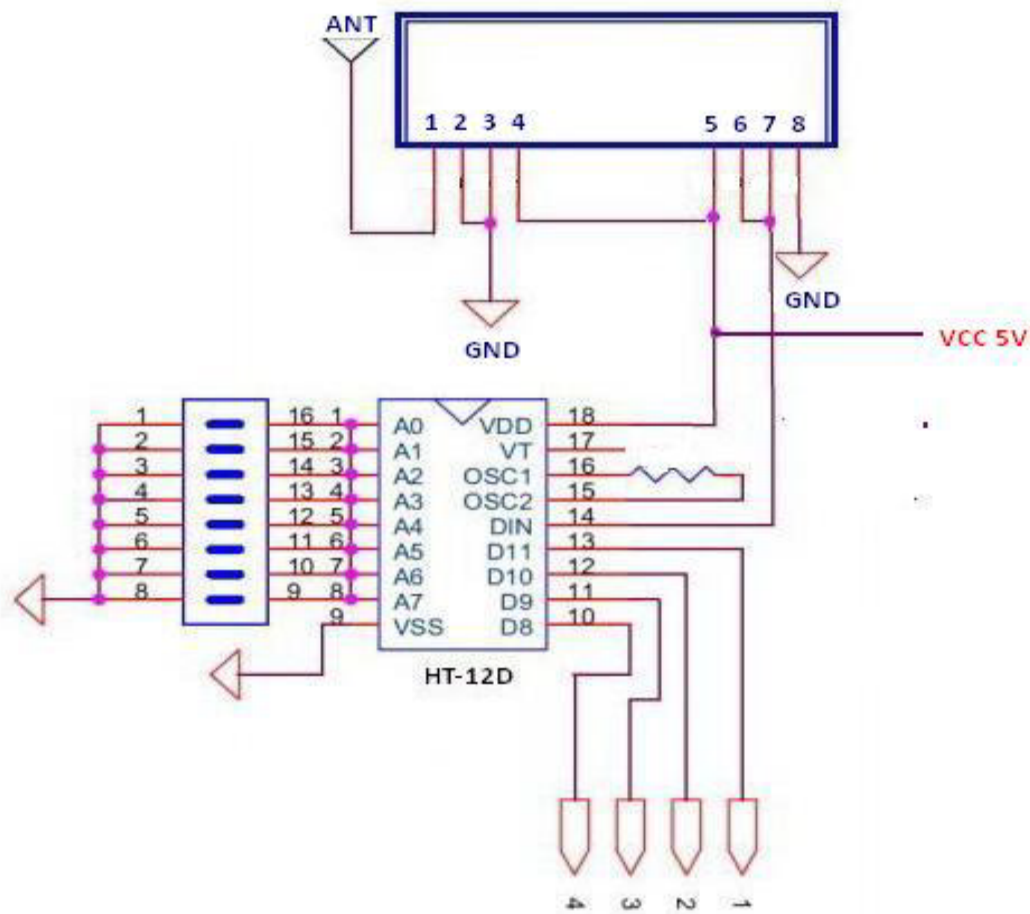
Notes

Pins on 0.1" pitch
Pin Dims :0.25 x 0.50mm

Pin Descriptions:

1	ANT	5	VCC
2	GND	6	DATA
3	GND	7	DATA
4	VCC	8	GND

Typical Application:



* Antenna length about :23cm for 315 MHz / 17cm for 434 MHz

JMRTH Technology Co.,Ltd.

Email: pinglib@gmail.com sales@jmrth.com
 TEL: +86 755-8980 8996 FAX: +86 755-8835 1759
 Mobile: +86 134 1846 5764
 Web: <http://www.jmrth.com> MSN: szjmrth@hotmail.com
 ADD: 28A, Block 1, Dushi yangguangmingyuan, No.6017 Shennan Avenue,
 Futian District, Shenzhen, Guangdong Province China P.C.: 518040